

P700

高频电压表



Short description

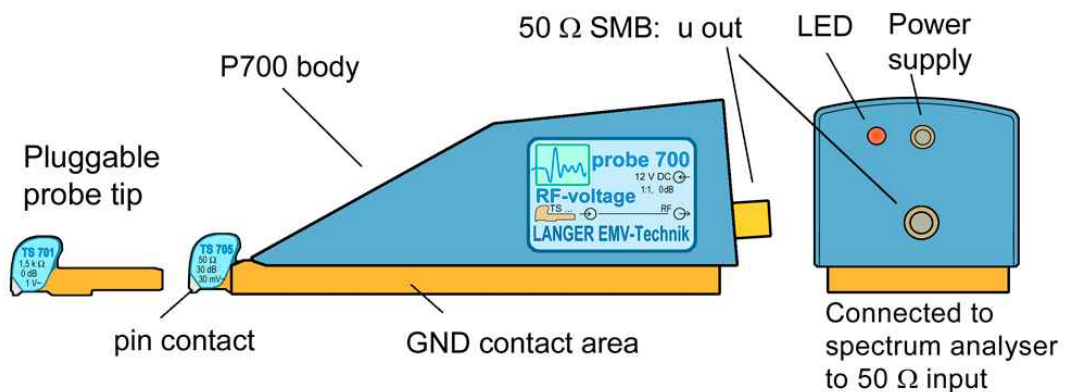
P700型探头是一个高频电压表，用于测量单个集成电路引脚的干扰放射。这种电压表由P700 基体和可更换的探针（带有集成前置放大器的TS 701-TS 705）组成，这些探针的内阻各不相同。探针可以精准快速地接触到任意一个集成电路引脚。这种测量方法在电磁干扰测量中可以保证较高的重复性和可比性。

The RF voltage probe has high-resistance inputs with capacitive coupling. Due to the very low parasitic capacity RF voltages can be measured at the device under test's output pins and input pins without a noticeable current stressing the pins. For measuring tasks requiring a high-resistance voltage probe the TS 701 probe tip with 1.5 kOhm is available. For measuring tasks requiring a low-resistance probe voltage or adapted measurements the TS 705 (50 Ohm) and TS 706 (100 Ohm) probe tips are available. The P700 voltage probe combined with its TS 751 probe tip (coupling network 150 Ohm) allow for the measurement of conducted electromagnetic emission according to IEC 61967-4 of integrated circuits.

Technical parameters

测量输出	50 Ω , SMB
电源电压	12 / DC

安装视图 01



Application with P700

